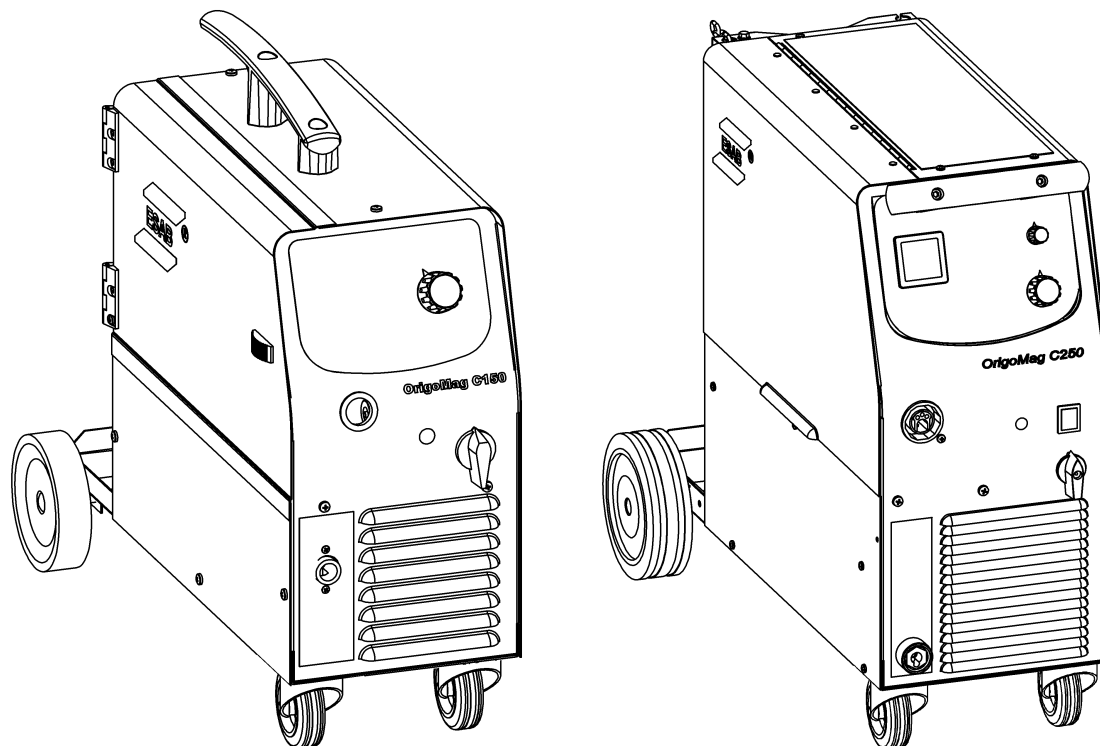


Spare parts list

Edition 20120810



Valid for serial no. 736-xxx-xxxx

Ordering no.	Product
--------------	---------

0349 311 170	Origo™ Mig C141
0349 311 180	Origo™ Mig C151
0349 311 280	Origo™ Mag C171
0349 311 290	Origo™ Mag C201
0349 311 420	Origo™ Mag C251

Product

230V 1~50/60Hz
230V 1~50/60Hz
230V 1~50/60Hz
230V 1~50/60Hz
230V 1~50/60Hz

Spare parts are to be ordered through the nearest ESAB agency. Kindly indicate type of unit, serial number, denominations and ordering numbers according to the spare parts list.

Maintenance and repair work should be performed by an experienced person, and electrical work only by a trained electrician. Use only recommended spare parts.

Rights reserved to alter specifications without notice.

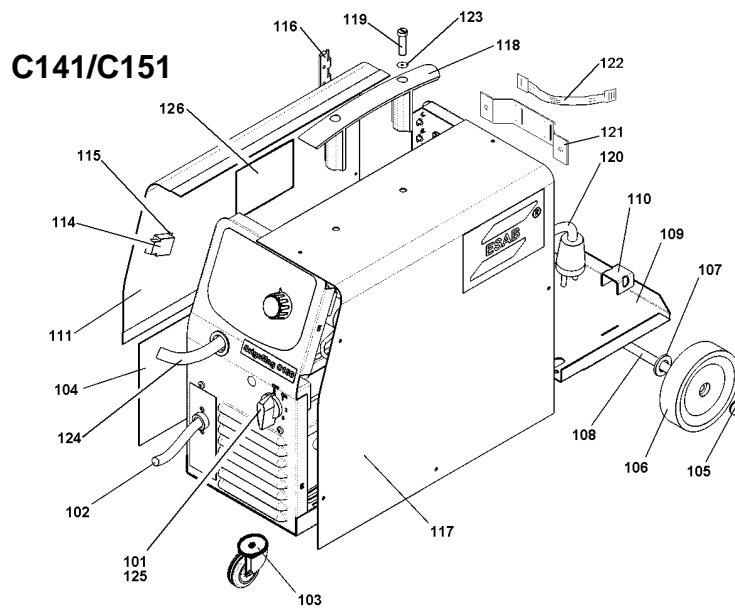
Mig C141/C151, Mag C171/C201/C251

C = component designation in the circuit diagram

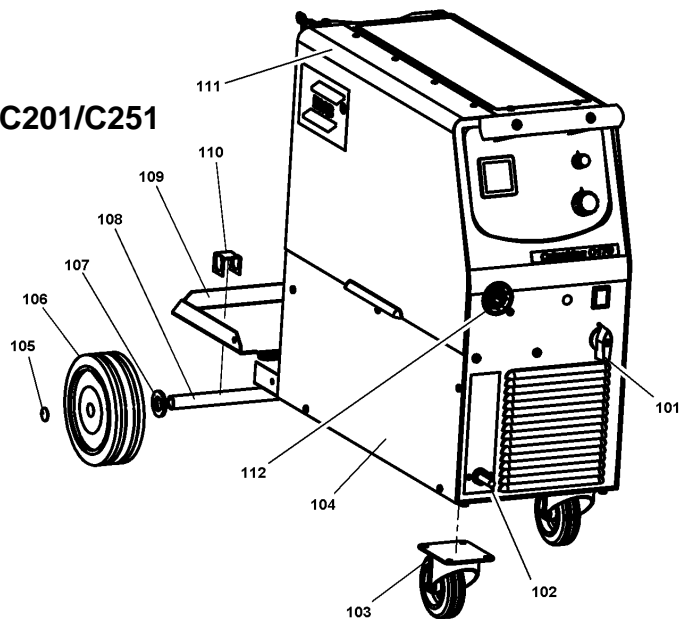
Item	Qty C141	Qty C151	Qty C171	Qty C201	Qty C251	Ordering no.	Denomination	Notes	C
101	1	1	-	-	-	0469 471 001	Switch		QF1
	-	-	1	-	-	0349 304 784	Switch	8 step	QF2
	-	-	-	1	-	0349 306 268	Switch	12 step	QF2
	-	-	-	-	1	0349 306 269	Switch	12 step	QF2
102	1	1	-	-	-	0469 571 880	Return cable		
	-	-	1	1	-	0469 572 881	Return cable		
	-	-	-	-	1	0349 303 572	Return cable		
103	-	-	2	2	2	0469 468 001	Link wheel	Ø77	
	2	2	-	-	-	0469 478 001	Link wheel	Ø50 (C141: part of Traction KIT 0349 309 073)	
104	-	-	1	1	1	0349 305 673	Side panel		
	1	1	-	-	-	0349 306 162	Cover		
105	-	-	2	2	2	0349 483 454	Cap		
	2	2	-	-	-	0349 483 453	Cap	C141: part of Traction KIT 0349 309 073	
106	-	-	2	2	2	0349 309 725	Wheel	Ø175	
	2	2	-	-	-	0469 467 001	Wheel	Ø120 (C141: part of Traction KIT 0349 309 073)	
107	-	-	2	2	2	0349 481 044	Washer	Ø21	
	2	2	-	-	-	0349 481 039	Washer	C141: part of Traction KIT 0349 309 073	
108	-	-	1	1	1	0349 309 765	Shaft	Ø20	
	1	1	-	-	-	0349 306 557	Shaft	C141: part of Traction KIT 0349 309 073	
109	-	-	1	1	1	0349 306 593	Shelf		
	1	1	-	-	-	0349 306 558	Shelf	C141: part of Traction KIT 0349 309 073	
110	-	-	2	2	2	0349 306 892	Axle bracket		
	2	2	-	-	-	0469 391 001	Axle bracket	C141: part of Traction KIT 0349 309 073	
111	-	-	1	1	1	0349 305 672	Cover cpl.		
	-	1	-	-	-	0349 306 544	Cover cpl.		
	1	-	-	-	-	0349 306 161	Cover cpl.		
112	-	-	1	1	1		Wire feed mechanism	See page 14	M1
114	1	1	-	-	-	0369 561 001	Lock		
115	1	1	-	-	-	0369 561 002	Clamp		
116	2	2	-	-	-	0349 494 740	Hinge		
117	1	1	-	-	-	0349 306 160	Cover cpl.		

Mig C141/C151, Mag C171/C201/C251

Item	Qty C141	Qty C151	Qty C171	Qty C201	Qty C251	Ordering no.	Denomination	Notes	C
118	1	1	-	-	-	0349 305 239	Handle		
119	2	2	-	-	-	0349 305 388	Screw M6		
120	1	1	-	-	-	0349 306 132	Terminal cable		
121	1	1	-	-	-	0349 306 549	Bracket	C141: part of Traction KIT 0349 309 073	
122	1	1	-	-	-	0368 265 001	Securing strap	C141: part of Traction KIT 0349 309 073	
123	2	2	-	-	-	0349 481 037	Washer	Ø6,3	
124	1	1	-	-	-	0700 200 001	Welding gun	MXL 150v	
125	1	1	-	-	-	0366 296 001	Knob		
126	1	-	-	-	-	0349 311 348	Sticker		
-	-	1	-	-	-	0349 311 345	Sticker		



C171/C201/C251

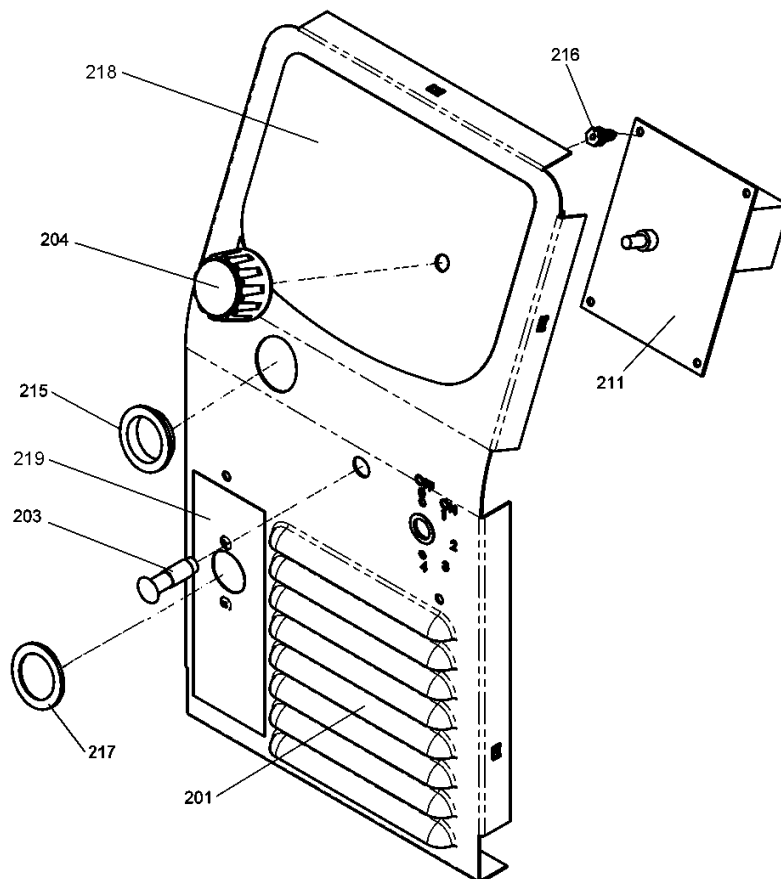


Mig C141/C151, Mag C171/C201/C251

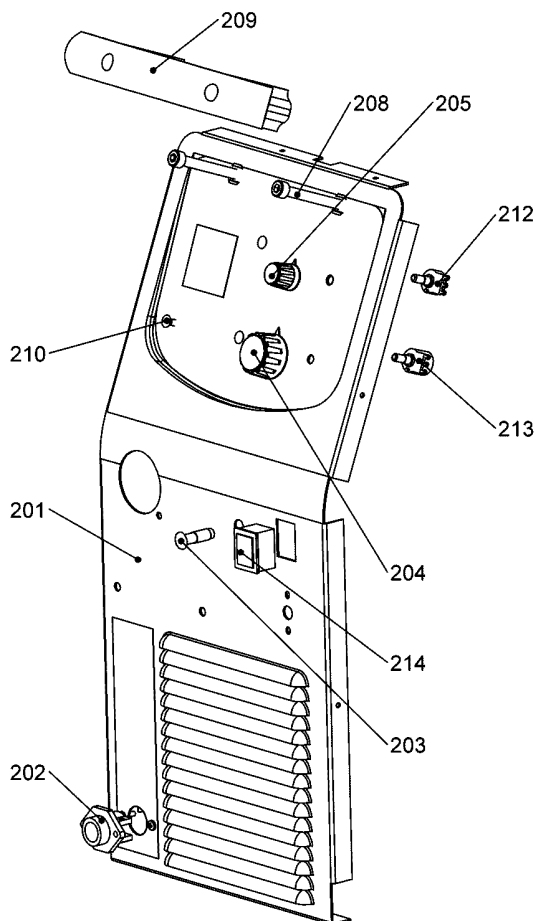
C = component designation in the circuit diagram

Item	Qty C141	Qty C151	Qty C171	Qty C201	Qty C251	Ordering no.	Denomination	Notes	C
201	-	1	-	-	-	0349 311 341	Front plate		
	1	-	-	-	-	0349 311 339	Front plate		
	-	-	1	-	-	0349 311 302	Front plate		
	-	-	-	1	-	0349 311 405	Front plate		
	-	-	-	-	1	0349 311 397	Front plate		
202	-	-	1	1	-	0349 305 481	Cable inlet		
	-	-	-	-	1	0160 362 881	Current terminal		
203	1	1	1	1	1	0369 733 005	Signal lamp	orange	VH
204	1	1	1	1	1	0349 311 334	Knob		
205	-	-	1	1	1	0349 311 366	Knob		
208	-	-	2	2	2	0349 306 344	Screw		
209	-	-	1	1	1	0349 305 239	Handle		
210	-	-	3	3	3	0455 226 004	Spacer		
211	1	1	-	-	-	0486 155 880	Panel		
212	-	-	1	1	-	0349 305 837	Potentiometer cpl.		RP2
	-	-	-	-	1	0349 305 973	Potentiometer cpl.		RP2
213	-	-	1	1	-	0349 305 836	Potentiometer cpl.		RP1
	-	-	-	-	1	0349 305 972	Potentiometer cpl.		RP1
214	-	-	1	1	1	0349 306 518	Switch		QF1
215	1	1	-	-	-	0349 490 195	Bushing		
216	4	4	-	-	-	0349 487 145	Spacer		
217	1	1	-	-	-	0349 490 195	Cable inlet		
218	1	1	-	-	-	0349 311 298	Sticker		
219	1	1	-	-	-	0349 306 241	Sticker		

C141/C151



C171/C201/C251



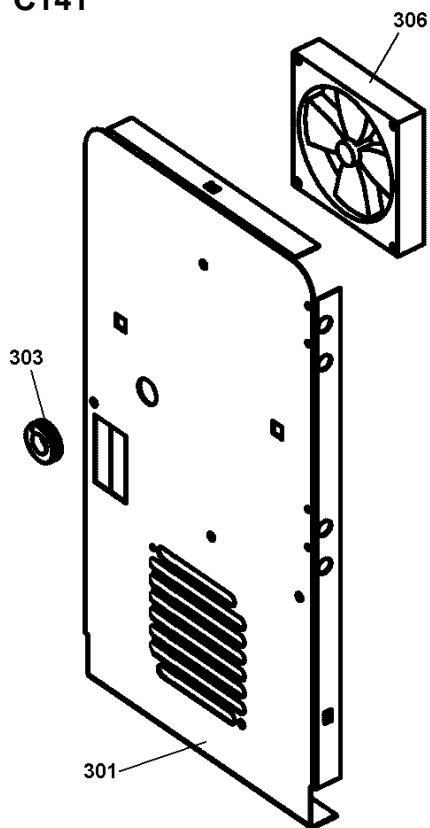
Mig C141/C151, Mag C171/C201/C251

C = component designation in the circuit diagram

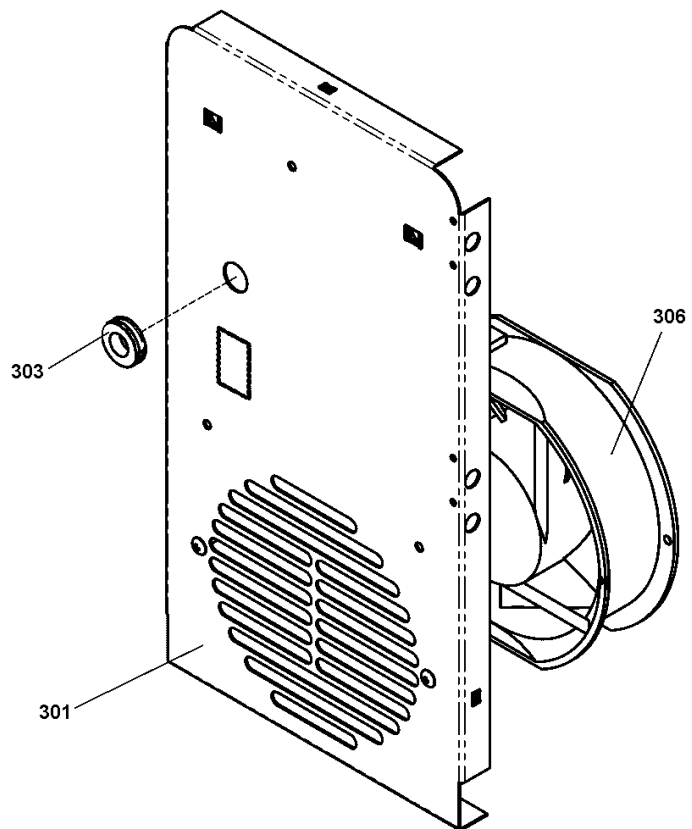
Item	Qty C141	Qty C151	Qty C171	Qty C201	Qty C251	Ordering no.	Denomination	Notes	C
301	-	-	1	1	1	0349 305 670	Rear plate		
	-	1	-	-	-	0349 308 406	Rear plate		
	1	-	-	-	-	0349 311 391	Rear plate		
302	-	-	1	1	1	0349 305 481	Gland with lock		
303	1	1	1	1	1	0192 041 119	Grommet	Ø16	
304	-	-	1	1	1		Blind plug	Ø13	
305	-	-	1	1	1	0321 173 001	Securing chain		
306	-	1	1	1	1	0349 483 510	Fan		EV1
	1	-	-	-	-	0349 309 052	Fan		EV1

Mig C141/C151, Mag C171/C201/C251

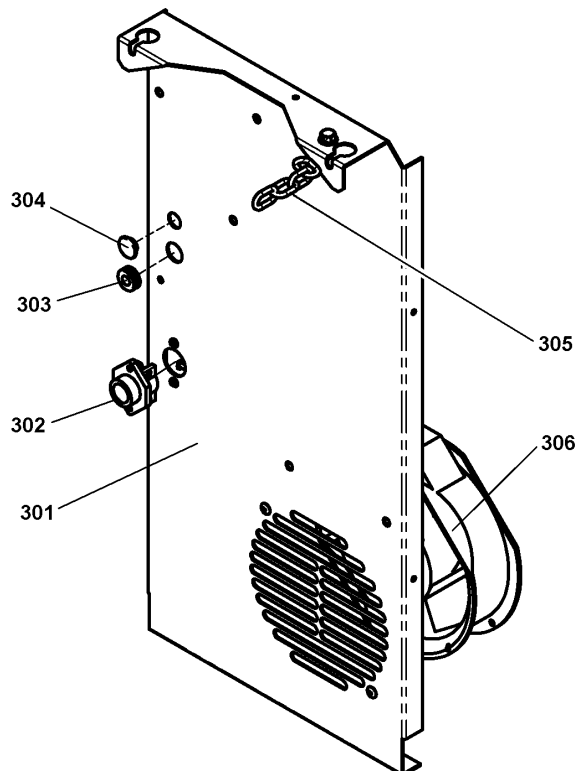
C141



C151



C171/C201/C251



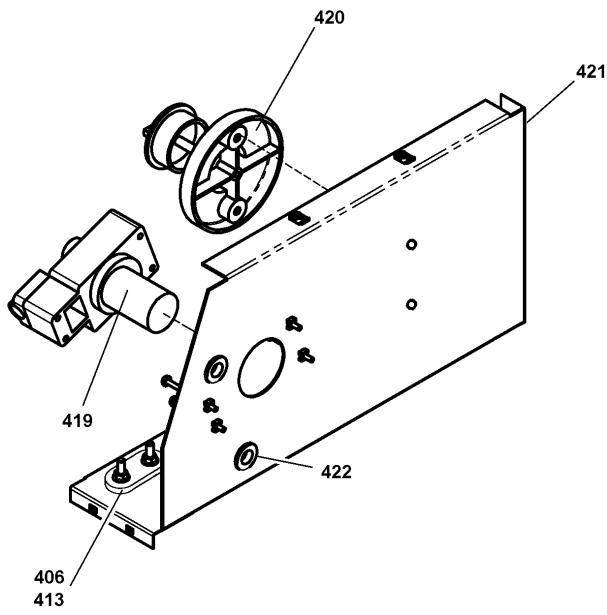
Mig C141/C151, Mag C171/C201/C251

C = component designation in the circuit diagram

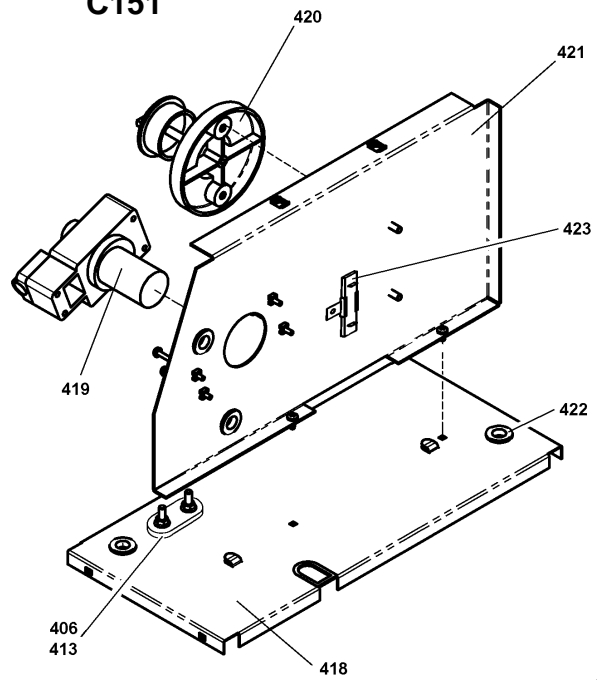
Item	Qty C141	Qty C151	Qty C171	Qty C201	Qty C251	Ordering no.	Denomination	Notes	C
401	-	-	1	1	1	0349 305 642	Intermediate plate		
402	-	-	1	1	1	0349 305 966	Shield		
403	-	-	1	1	1	0456 185 002	Cover		
404	-	-	1	1	1	0146 967 881	Brake hub		
405	-	-	1	1	1	0349 306 762	Support		
406	1	1	1	1	1	0469 377 880	Terminal insulation KIT		XTP
407	-	-	1	1	1	0349 302 421	Bracket		
408	-	-	1	1	1	0162 781 011	Terminal		XT1
409	-	-	1	1	-	0349 305 975	Contactor		KM1
	-	-	-	-	1	0349 306 792	Contactor		KM1
410	-	-	1	1	1	0349 484 367	Contact block		KM1
411	-	-	1	1	-	0349 310 250	Transformer		TC1
	-	-	-	-	1	0455 637 001	Transformer		TC1
412	-	-	1	1	1	0349 483 648	Gas valve		YV1
413	1	1	-	-	-	0349 306 540	Capacitor cpl.		C0
414	-	-	1	1	-	0349 306 301	Circuit board		AP1
	-	-	-	-	1	0487 288 881	Circuit board		AP1
415	-	-	-	1	-	0349 305 967	Shield		
	-	-	-	-	1	0349 306 246	Shield		
418	-	1	-	-	-	0349 306 539	Shelf		
419	1	1	-	-	-	0469 475 880	Wire feed mechanism	See page 16	M1
420	1	1	-	-	-	0469 310 880	Brake hub		
421	-	1	-	-	-	0349 309 201	Intermediate plate		
	1	-	-	-	-	0349 306 168	Intermediate plate		
422	2	3	-	-	-	0192 041 119	Bushing		XT1
423	-	1	-	-	-	0349 311 223	Resistor		R0
425	-	1	-	-	-	0349 491 587	Bracket		

Mig C141/C151, Mag C171/C201/C251

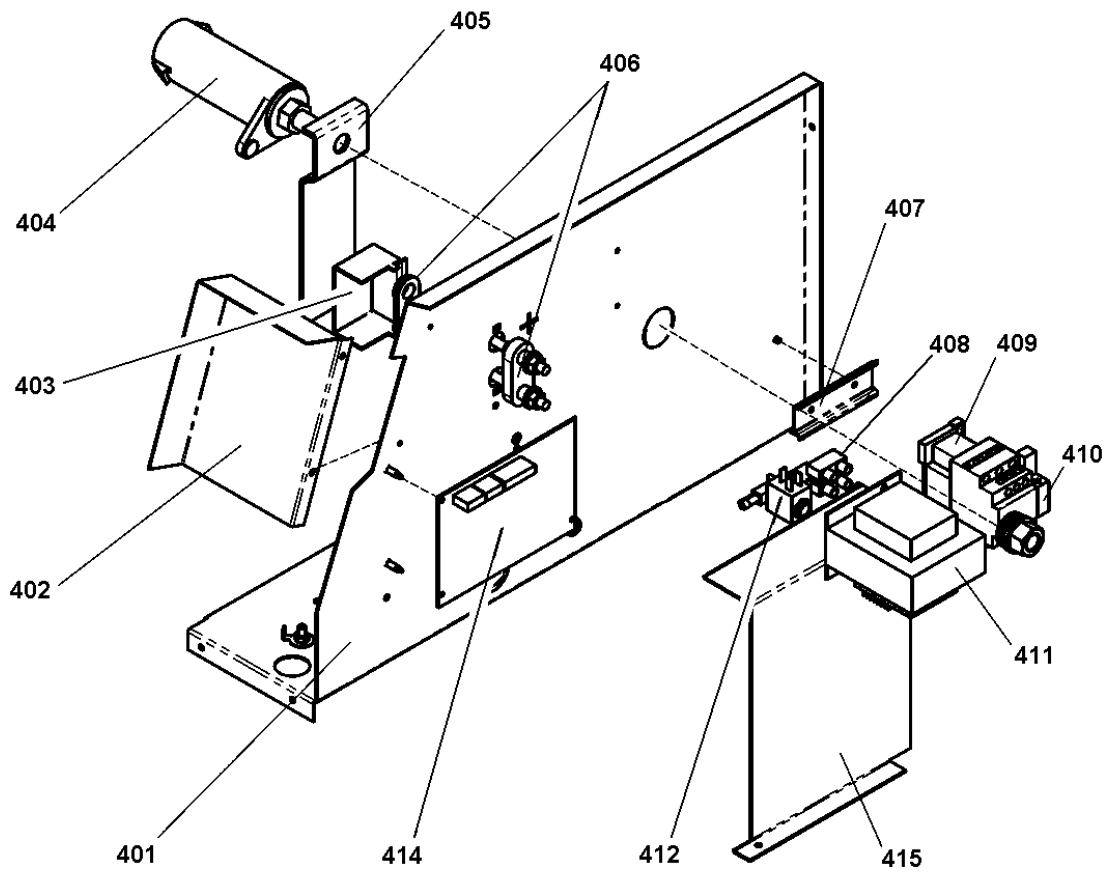
C141



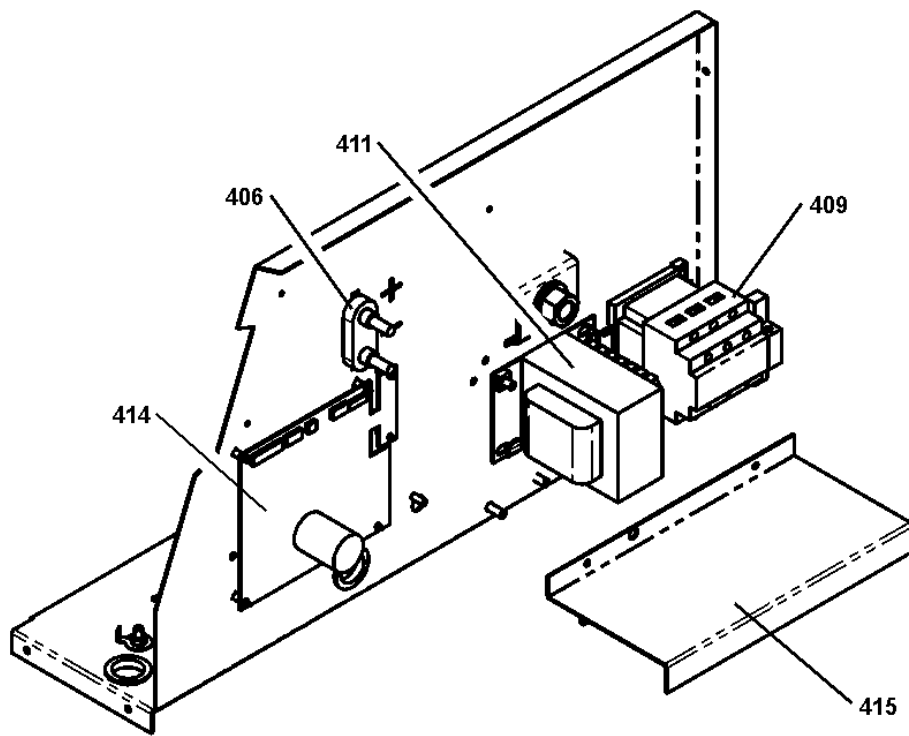
C151



C171/C201



C251



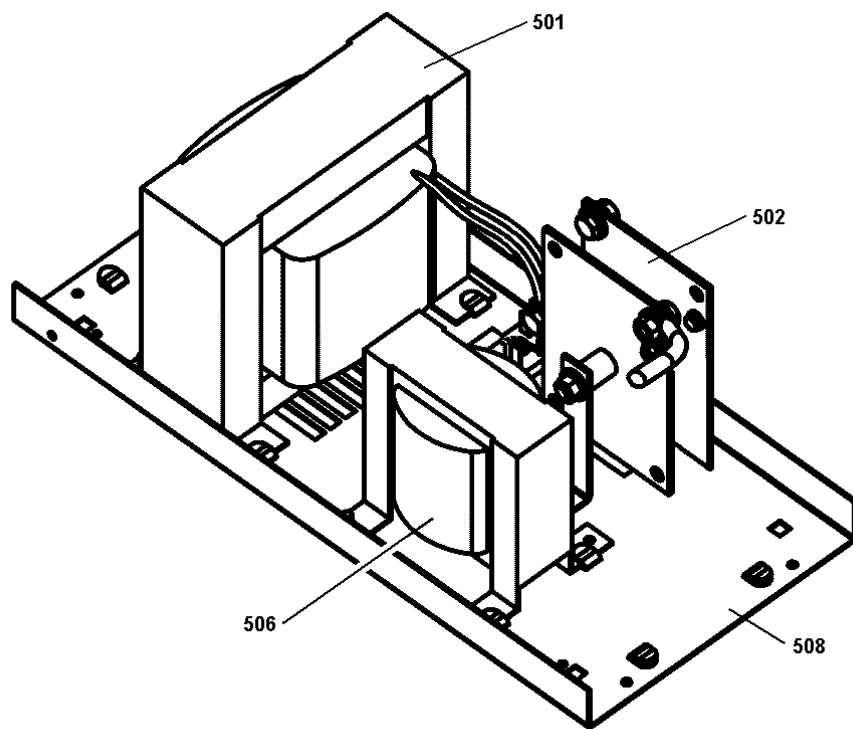
Mig C141/C151, Mag C171/C201/C251

(A) = accessory

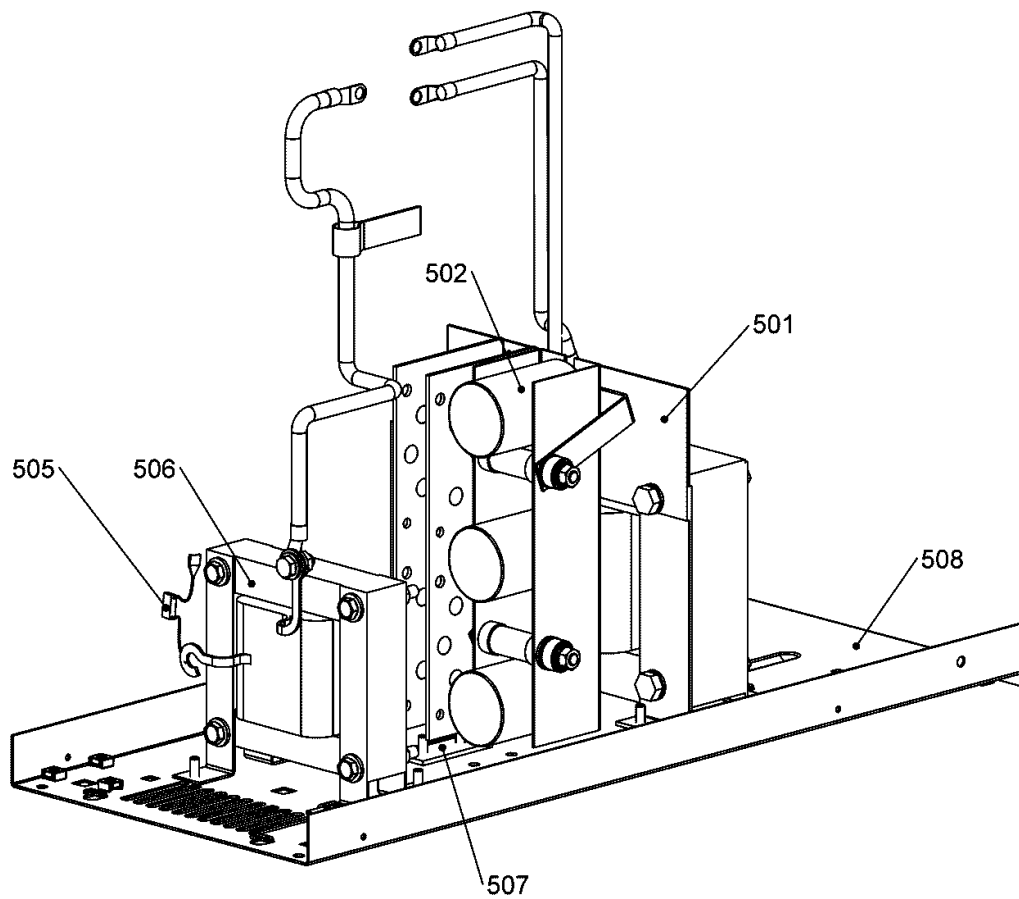
C = component designation in the circuit diagram

Item	Qty C141	Qty C151	Qty C171	Qty C201	Qty C251	Ordering no.	Denomination	Notes	C
501	1	-	-	-	-	0349 311 218	Transformer with switch		TM1
	-	1	-	-	-	0349 311 322	Transformer		TM1
	-	-	1	-	-	0349 311 261	Transformer		TM1
	-	-	1	-	-	0349 311 328	Transformer with switch		TM1
	-	-	-	1	-	0349 311 326	Transformer		TM1
	-	-	-	1	-	0349 311 327	Transformer with switch		TM1
	-	-	-	1	-	0349 483 722	Thermal switch	mounted on transformer	ST1
	-	-	-	-	1	0349 305 993	Transformer		TM1
	-	-	-	-	1	0349 305 991	Transformer with switch		TM1
	-	-	-	-	1	0349 483 724	Thermal switch	mounted on transformer	ST1
502	1	-	-	-	-	0349 311 155	Rectifier brigde		V1
	-	1	-	-	-	0349 311 156	Rectifier brigde		V1
	-	-	1	-	-	0349 311 333	Rectifier brigde		V1
	-	-	-	1	-	0349 307 945	Rectifier brigde		V1
	-	-	-	-	1	0349 307 946	Rectifier brigde		V1
504	-	-	1	1	1	0349 306 637	Resistor		RL
505	-	-	1	1	1	0349 309 050	Capacitor		C1
506	1	-	-	-	-	0349 311 234	Inductor		L1
	1	-	-	-	-	0349 308 084	Thermal switch	mounted on inductor	ST1
	-	1	-	-	-	0349 311 427	Inductor		L1
	-	1	-	-	-	0349 483 722	Thermal switch	mounted on inductor	ST1
	-	-	1	-	-	0349 306 488	Inductor		L1
	-	-	1	-	-	0349 308 084	Thermal switch	mounted on inductor	ST1
	-	-	-	1	-	0349 306 094	Inductor		L1
	-	-	-	-	1	0349 305 417	Inductor		L1
507	-	-	1	1	-	0349 305 639	Bracket		
	-	-	-	-	1	0349 307 453	Bracket		
508	1	-	-	-	-	0349 306 174	Bottom plate		
	-	1	-	-	-	0349 311 194	Bottom plate		
	-	-	1	1	-	0349 305 633	Bottom plate		
	-	-	-	-	1	0349 306 843	Bottom plate		

C141/C151

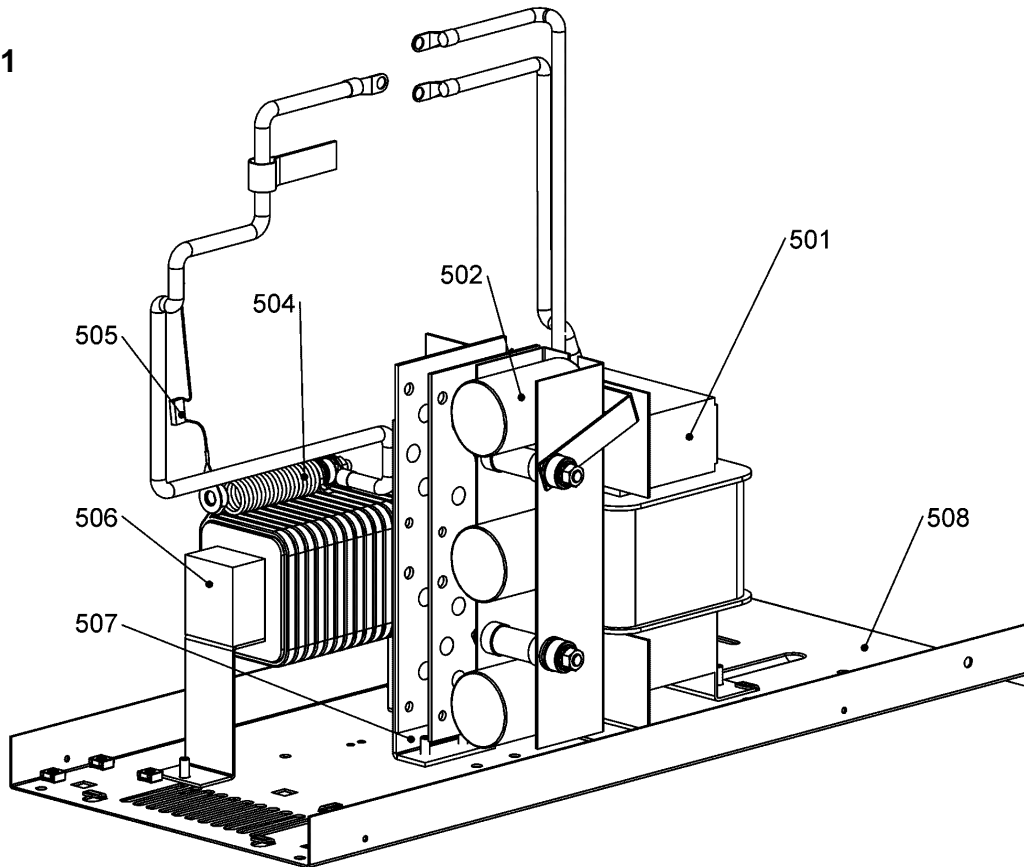


C171

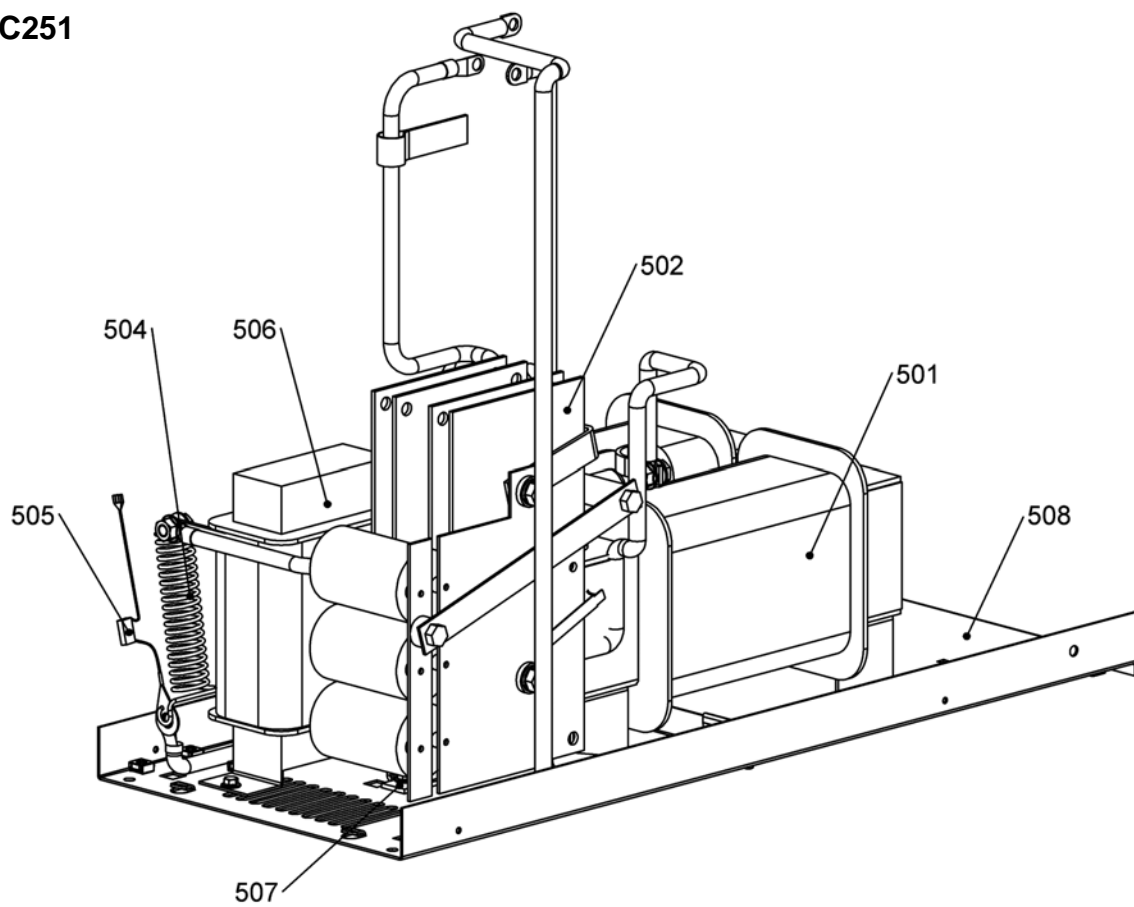


Mig C141/C151, Mag C171/C201/C251

C201



C251

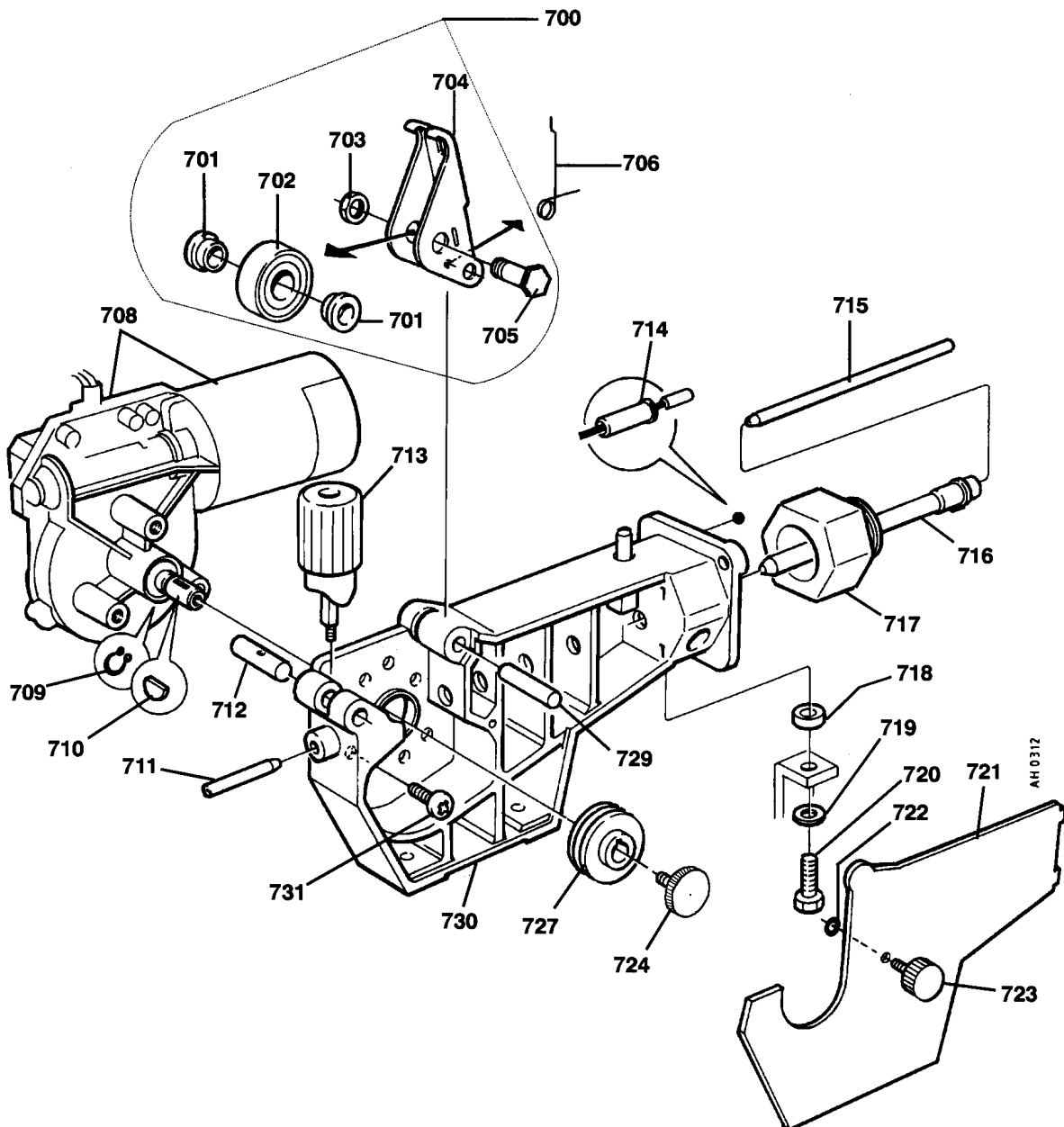


C = component designation in the circuit diagram

Item	Qty C170 C200	Qty C250	Ordering no.	Denomination	Notes	C
-	1	-	0455 890 890	Wire feed mechanism	Complete, contains items 701 – 731	
-	-	1	0455 890 882	Wire feed mechanism	Complete, contains items 701 – 731	
700	1	1	0367 529 001	Pressure arm	Complete, contains items 701 – 705	
701	2	2	0455 906 001	Spacer sleeve		
702	1	1	0455 907 001	Pressure roller		
	1	1	0466 262 001	Pressure roller	Knurled	
703	1	1		Nut	SGA D8	
704	1	1		Holder		
705	1	1		Shaft		
706	1	1	0455 896 001	Spring		
708	1	-	0469 397 001	Drive unit		M1
	-	1	0466 489 001	Drive unit		M1
709	1	1	0215 701 007	Locking washer	Included in item 708	
710	1	1	0191 496 114	Key	Included in item 708	
711	1	1	0466 074 001	Inlet nozzle		
712	1	1	0367 528 001	Pin bolt		
713	1	1	0368 749 880	Pressure transducer		
714	2	2	0368 750 001	Insulating sleeve		
715a	1	1	0455 894 001	Insert tube	Plastic, must be used together with item 716a. For welding with Al wire.	
715b	1	1	0455 889 001	Insert tube	Steel, must be used together with item 716b.	
716a	1	1	0455 885 001	Outlet nozzle	Must be used together with item 715a. For welding with Al wire.	
716b	1	1	0455 886 001	Outlet nozzle	Must be used together with item 715b.	
717	1	1	0455 882 001	Current sleeve		
718	1	1	0455 883 001	Spacer sleeve	Ø 16/8.2x0.9	
719	1	1		Washer	Ø 16/8.4x1.5	
720	1	1		Screw	M8x20	
721	1	1	0455 881 001	Protection plate		
722	1	1	0215 201 202	O-ring		
723	1	1		Screw	M5x12	
724	1	1	0349 308 502	Screw	M4x10	
727	1	1	0367 556 001	Feed roller	Ø 0.6–0.8mm Fe, Ss, cored wire.	
	1	1	0367 556 002	Feed roller	Ø 0.8–1.0mm Fe, Ss, cored wire.	
	1	1	0367 556 003	Feed roller	Ø 1.0–1.2mm Fe, Ss, cored wire.	
	1	1	0367 556 004	Feed roller	Ø 1.0–1.2mm Al wire.	
729	1	1	0455 893 001	Shaft		

Mag C171/C201/C251

Item	Qty C170 C200	Qty C250	Ordering no.	Denomination	Notes	C
730	1	1	0455 884 001	Gear housing		
731	3	3		Screw	M6x16	

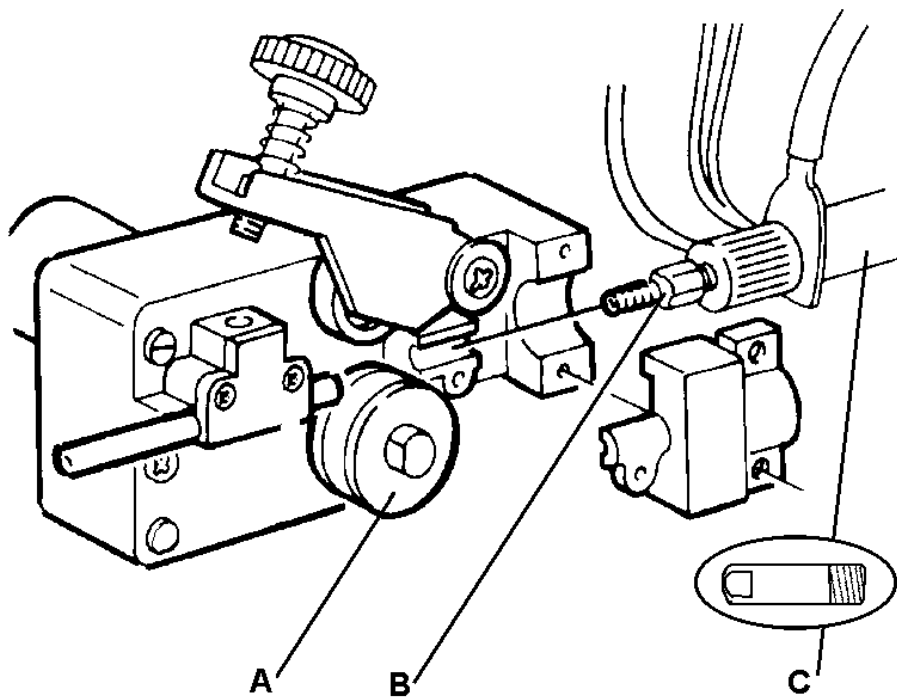


Wear parts

(W. F. Mechanism 0469 475 880)

Item	Denomination	Ordering no.	Notes
A	Feed roller	0469 517 001 0349 311 443	Ø 0.6–0.8mm Fe, cored wire, CuSi Ø 1.0mm Al
B	Liner	0700 200 099	Al, Fe, cored wire, CuSi
C	Contact tip	0700 200 063 0700 200 064 0700 200 066	Ø 0.6mm Fe Ø 0.8mm Fe, cored wire, CuSi Ø 1.0mm Al

The rollers are marked with wire dimension in mm, some are also marked with inch.

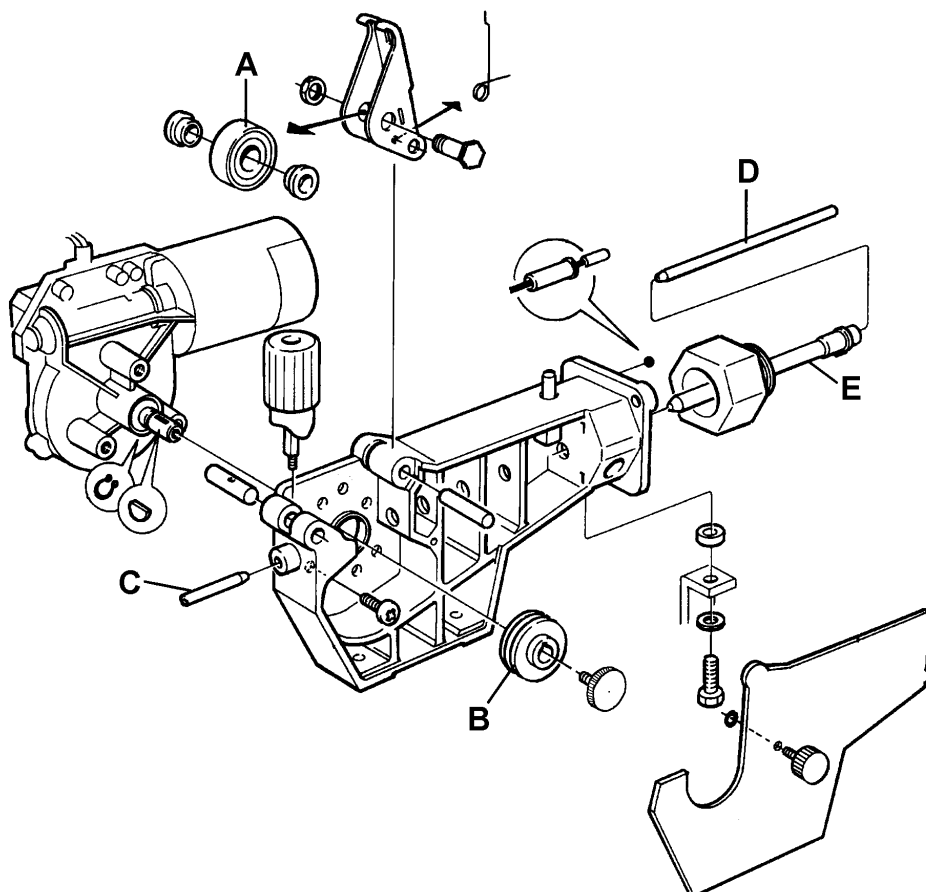


Wear parts

(W. F. Mechanism 0455 890 890 / 0455 890 882)

Item	Denomination	Ordering no.	Notes
A	Pressure roller	0455 907 001	
B	Feed roller	0367 556 001	Ø 0.6–0.8mm Fe, Ss, cored wire.
		0367 556 002	Ø 0.8–1.0mm Fe, Ss, cored wire.
		0367 556 003	Ø 1.0–1.2mm Fe, Ss, cored wire.
		0367 556 004	Ø 1.0–1.2mm Al wire.
C	Inlet nozzle	0466 074 001	
D	Insert tube	0455 894 001	Plastic, must be used together with item 0455 885 001, for welding with Al wire.
		0455 889 001	Steel, must be used together with item 0455 886 001.
E	Outlet nozzle	0455 885 001	Must be used together with item 0455 894 001, for welding with Al wire.
		0455 886 001	Must be used together with item 0455 889 001.

The rollers are marked with wire dimension in mm, some are also marked with inch.



Welding with aluminium wires.

In order to weld with aluminium wires, proper rollers, nozzles and liners for aluminium wires **MUST** be used. It is recommended to use 3m long welding gun for aluminium wires, equipped with appropriate wear parts.

NOTES

Dotted lines for writing notes.

